



ADDENDUM 002

project	Provo SD Wasatch Elementary Security Upgrade	project no	18370.00
date	2018-12-14	no. pages	2
owner	Provo School District		
contractor			
bid date	2018-12-18	bid time	2:00 pm

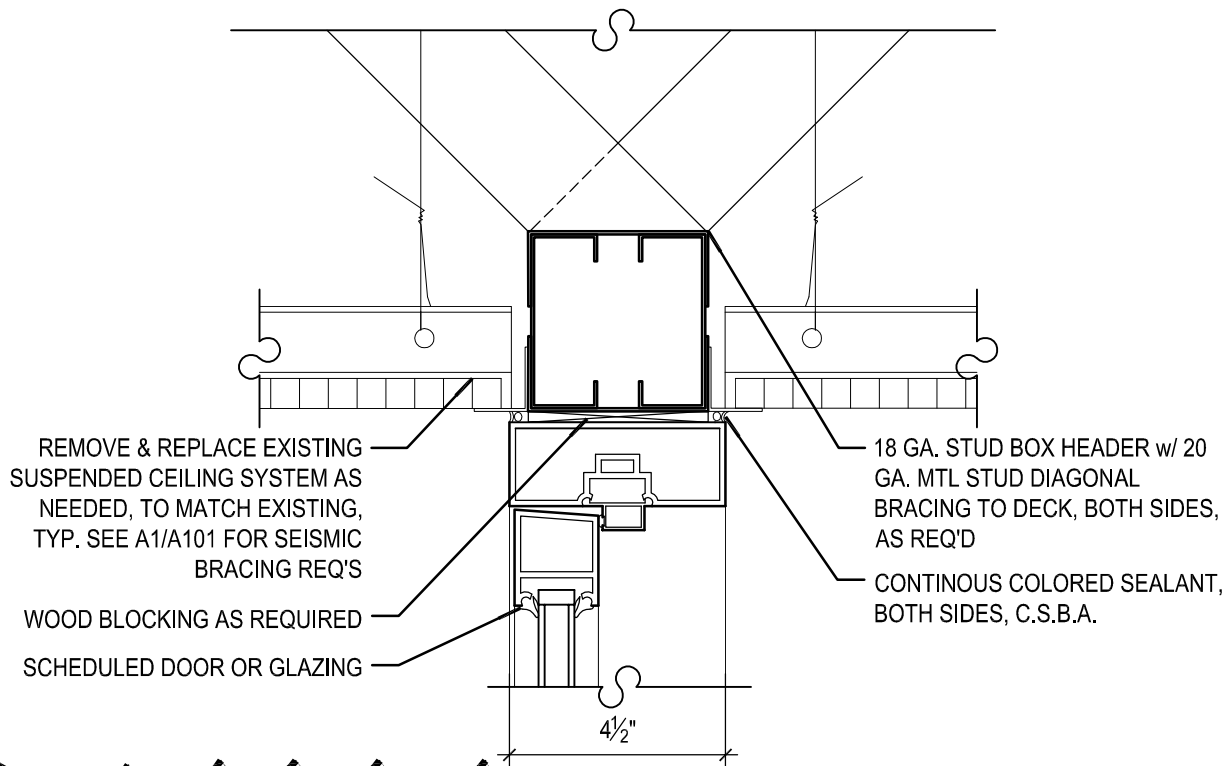
This Addendum shall be considered part of the Contract Documents and Project Manual for the above mentioned project as though it had been issued at the same time and shall be incorporated integrally therewith. Where provisions of the following supplementary data differ from those of the original Contract Documents and Project Manual, the Addendum shall govern and take precedence.

drawings

item	sheet#	description
2.1	A101	Modify detail A2/A101 per the attached. Field verify overall height of storefront Frame Type 1 aligns with B.O. existing ceiling.

End of Addendum 002

02
ADD



A2

ALUM. DOOR HEAD & JAMB DETAIL

SCALE: 3" = 1'-0"