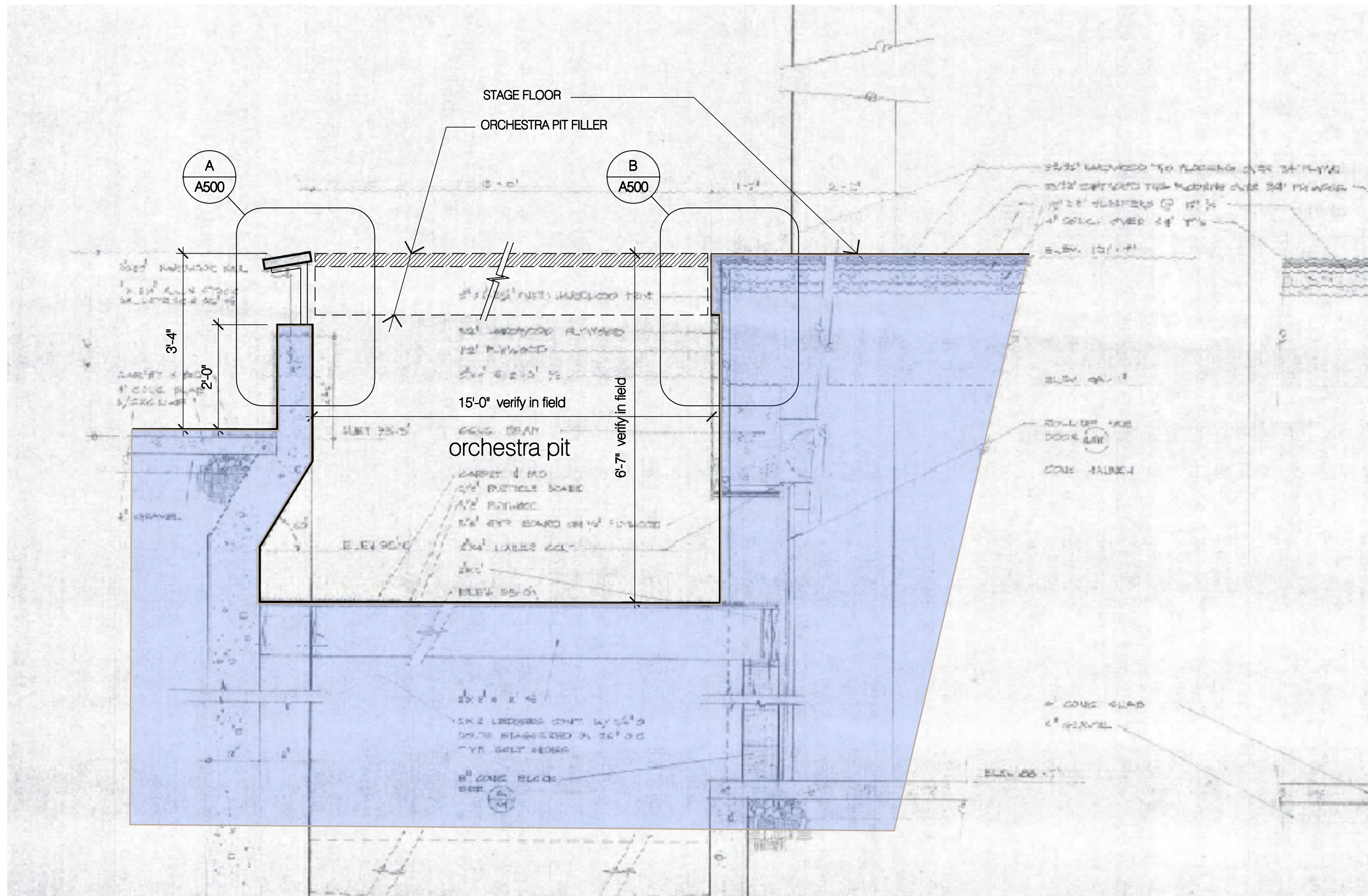


STAGE FLOOR PLAN

1/8" = 1'-0"

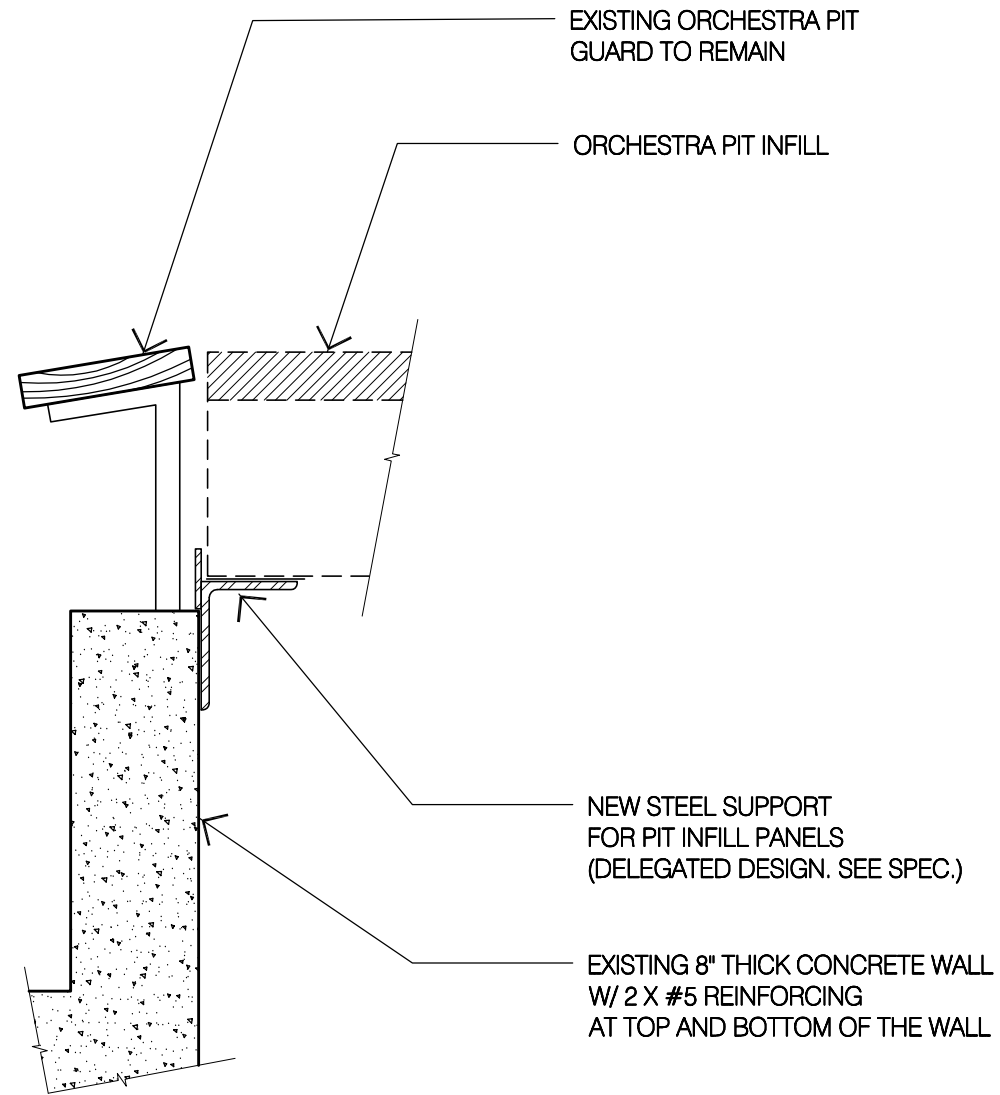
DATE: 5/2/2017



SECTION THRU ORCHESTRA PIT

1/8" = 1'-0"

DATE: 5/2/2017



3/16" MASONITE HARDBOARD
W/ MIN. TWO COATS OF "ROSCO" BLACK PAINT / EGG SHELL

3/4" TONG AND GROOVE PLYWOOD
GRAIN RUNS 90 DEGREES TO SHEET
BELOW AND SEAMS ARE OFFSET
HALF A SHEET

3/4" TONG AND GROOVE PLYWOOD

WOOD SNUBBER FIRMLY ATTACHED
WOOD PIECE TO CONCRETE FLOOR
AT 24" O.C. ALLOW 1/8" GAP
BETWEEN BOTTOM OF THE FLOOR

MASON INDUSTRIES 50 DUROMETER SUPER
WITH NEOPRENE PAD AT 24" O.C.
(EACH PAD TO BE 4" X 4" 4 CELLS)
MASTIC BOTH SIDES.
ENTIRE ASSEMBLY TO BE FIRMLY
ATTACHED TO THE CONCRETE SLAB.
PROVIDE MINERAL WOOL FILL
BETWEEN SLEEPERS

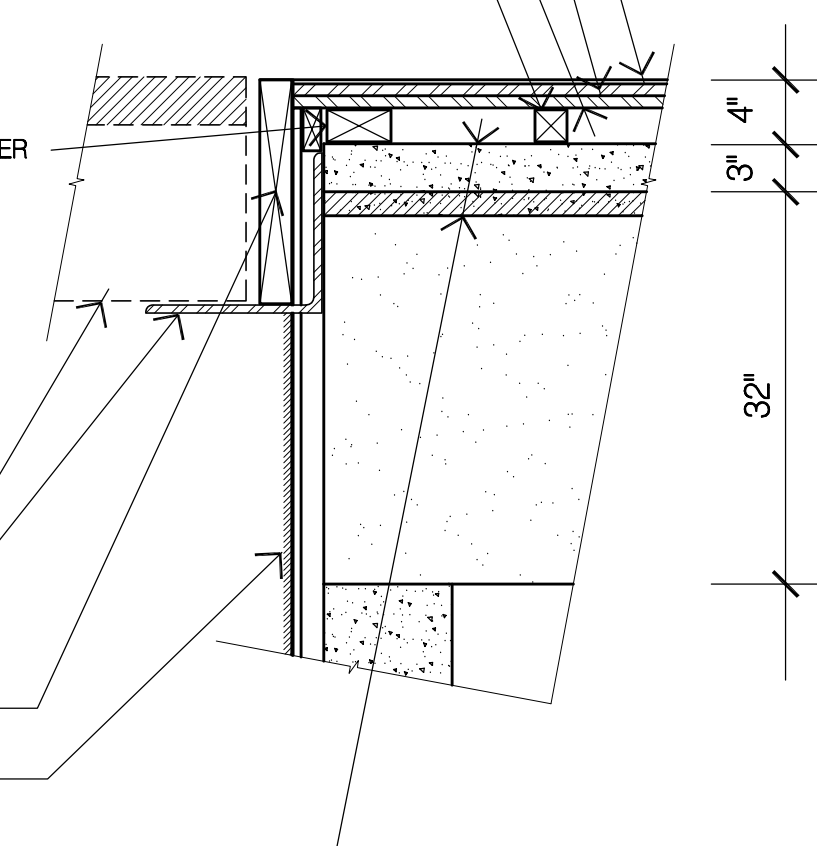
ORCHESTRA PIT INFILL

NEW STEEL SUPPORT
FOR PIT INFILL PANELS
(DELEGATED DESIGN. SEE SPEC.)

NEW CONT. 2 X 12
BLACK PAINTED WOOD EDGE

EXISTING CARPET TO REMAIN

PRIMARY STAGE FLOOR STRUCTURE:
3" CONCRETE TOPPING W/ 6X6 10/10 WWM
ON 32" PRECAST CONC. DOUBLE "T"



A SECTION DETAIL AT FRONT OF ORCHESTRA PIT
1" - 1'-0"

B SECTION DETAIL AT FRONT OF STAGE
1" - 1'-0"